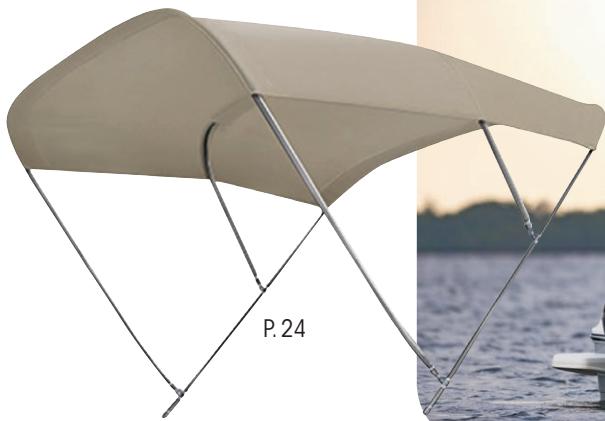




  
**PLASTIMO**  
*\*happy boating to you!*

## SUPPLEMENTO 2018





P. 24



P. 28



P. 3



P. 36

P. 35



P. 7

P. 12



P. 19



P. 11



P. 14



P. 16

<b>A</b>	Antifouling.....	34-36	<b>G</b>	GPS.....	16	<b>R</b>	Radios VHF.....	15
<b>B</b>	Beanie hats.....	12	<b>H</b>	Hats.....	12	<b>S</b>	Seats.....	30-33
	Bimini tops.....	24-25-27	<b>K</b>	Kayaks (inflatable).....	37		Seawear.....	12-13
	Bowsprits.....	17	<b>L</b>	Ladders.....	17-19		Softshell jackets.....	12
	Bumper.....	20		Leaning post.....	30		Soundbars.....	27
	Buoyancy aids.....	7-9		Lifecell.....	11		Sportstowers.....	26
<b>C</b>	Clothing.....	12-13		Lightsticks (Cyalume).....	10		Sprayhood (for lifejackets).....	4
	Cyalume (lightsticks).....	10		Lif jackets.....	2-9	<b>T</b>	Survival suit.....	11
<b>D</b>	Depth sounder.....	16	<b>M</b>	Monster Tower.....	26-27		Thermal survival suit.....	11
	Dock fenders (Bumper).....	20		Motor bracket.....	22		Thinners (hull care).....	36
	Drybags.....	14	<b>P</b>				T-Tops (Fishmaster).....	28-29
<b>F</b>	Fender profiles.....	23		Pedestals for pilot seats.....	33	<b>V</b>	Vests (outdoor clothing).....	13
	Fenders.....	21		Pharmacy.....	10		V.H.F.....	15
	Filters (water & air).....	22		Pilot seats.....	30-33	<b>W</b>	Windlasses.....	19
	Fire blanket.....	10		Platforms.....	18			
	First aid kits.....	10		Primers (hull care).....	36			
	Fishmaster (T-Top).....	28-29						
	Fleece jackets.....	13						

# Pilot 165 lifejacket



Cruising and intensive use.

- **Buoyancy** : Rated 150 N, actual buoyancy 165 N (33 g CO<sub>2</sub> gas bottle).
- **Ergonomic shape** : short on chest and cutaway sides, rounded neck for superior comfort. Hardwearing and flexible outer shell with reflective piping.
- **Visibility of inflated jacket** : yellow air chamber + 300 cm<sup>2</sup> retro-reflecting tapes. Strap at shoulder level to secure a flashlight.
- **Backstrap**, 40 mm polypropylene : ensures perfect body fit when lifejacket is inflated.

- **Viewing window** on Pro-Sensor models helps monitor status of firing mechanism.
- **Grid patch** on Hammar models accelerates the water entry to trigger the firing head quicker and ensure a prompt deployment of the air chamber.



Short on chest with cutaway sides



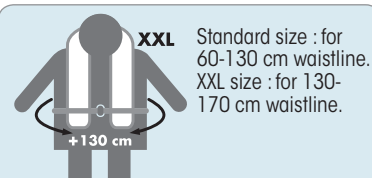
63419 Automatic, no harness

63426 Pro-Sensor, no harness

63433 Hydrostatic with harness  
Grid patch accelerates the water entry to trigger the firing head quicker

	PILOT 165 no harness (EN ISO 12402-3)			
	BLACK	NAVY	RED	RED XXL
	WITH crutchstrap	NO crutchstrap	NO crutchstrap	NO crutchstrap
Manual	-	<b>63413</b>	<b>63412</b>	-
Automatic	-	<b>63419</b>	<b>63418</b>	<b>63436</b>
Automatic Pro-Sensor	<b>63426</b>	-	-	-
Hydrostatic Hammar	<b>63432</b>	-	-	-

	PILOT 165 with harness (EN ISO 12402-3 / 12401)				
	BLACK	NAVY	RED	RED XXL	
	WITH crutchstrap	NO crutchstrap	WITH crutchstrap	NO crutchstrap	WITH crutchstrap
Manual	<b>63417</b>	-	-	-	-
Automatic	<b>63423</b>	<b>63422</b>	<b>65047</b>	<b>63421</b>	-
Automatic Pro-Sensor	<b>63429</b>	<b>63428</b>	<b>65051</b>	<b>63427</b>	<b>65058</b>
Hydrostatic Hammar	<b>63435</b>	<b>63434</b>	<b>65055</b>	<b>63433</b>	<b>65059</b>



## Accessories

Re-arm packs (33 g CO<sub>2</sub>) :

- Manual : 40199
- Automatic : 40200
- Automatic Pro-Sensor : 58460
- Automatic Pro-Sensor Elite : 65769
- Hydrostatic Hammar : 58461

# EVO 165 lifejacket

# EVO 165

CE  
EN ISO  
12402-3  
12401

165  
Newton



With zip closure



Outer shell with **Quickburst® zip closure**, allows a controlled opening of the lifejacket. Added comfort on shoulders and good looks.

Foam padded patch on stomach, integrated to waist belt.

- **Buoyancy** : Rated 150 N, actual buoyancy 165 N (33 g CO<sub>2</sub> gas bottle).
- **Outer shell ergonomic design** : short cut on chest combined with rounded shape provide superior comfort and mobility. Very easy donning. Foam padded patch on stomach, integrated to waist belt. Flexible and hardwearing material.
- **Visibility of inflated jacket** : yellow air chamber + 300 cm<sup>2</sup> retro-reflecting tapes. Strap at shoulder level to secure a flashlight.
- **Backstrap**, 40 mm polypropylene : ensures perfect body fit when lifejacket is inflated.
- **Viewing window** helps monitor status of firing mechanism, on automatic Pro-Sensor and Hammar hydrostatic models.



EVO 165	EVO no harness (EN ISO 12402-3)	
	BLACK	RED
	WITH crutchstrap	NO crutchstrap
Manual	-	<b>65172</b>
Automatic	-	<b>65178</b>
Automatic Pro Sensor	<b>65186</b>	-
Hydrostatic Hammar	<b>65192</b>	-

**Turquoise & Orange** : even more flexible material for a perfect body fit. Combines added comfort and soft touch feeling with excellent resistance.

- **EVO\* turquoise, manual** : 65917
- **EVO\* orange, automatic Pro-Sensor** : 65916

\* no harness, no crutchstrap



Double crutchstrap, adjustable and removable. Prevents lifejacket from riding up.



EVO 165	EVO with harness (EN ISO 12402-3 / 12401)	
	BLACK	RED
	WITH crutchstrap	NO crutchstrap
Automatic Pro-Sensor	<b>65189</b>	<b>65188</b>
Hydrostatic Hammar	<b>65195</b>	<b>65194</b>

## Options & accessories



- **Sprayhood 64950**  
ISO 12402-8 compliant.



- **Re-arm packs (33 g CO<sub>2</sub>)** :  
A - Manual : 40199  
B - Automatic : 40200  
C - Automatic Pro-Sensor : 58460  
D - Automatic Pro-Sensor Elite : 65769  
E - Hydrostatic Hammar : 58461

# SL 180 lifejacket

Designed for intensive use and agile sailing. Waistcoat style inflatable lifejacket, tailored for comfort and performance.



Rated 150 N,  
180 N actual buoyancy.



François Gabart, skipper of trimaran MACIF, winner of 2015 Transat Jaques Vabre, winner of 2016 Transat Bakerly & The Bridge 2017.

## Ergonomic and unobtrusive

- **Practical and intuitive donning** : zipped waistcoat style allows for perfect body fit in all manoeuvres and body positions.
- **Adaptable** : shoulder and waist quick fix/release adjusters to adapt to all body sizes and shapes.
- **Modular** : pocket for extra accessories (flashlight, lightsticks, PLB...).



Fluo orange air chamber, fully stitched to outer shell.

**SL**  
180

## SL 180 lifejacket

(blue water and agile sailing).

Model	Colour	Ref.	Inflation	Harness	Double crutchstrap	Sprayhood
<b>SL</b> 180	GREY	64111	Automatic	✓	✓	Optional, ref. 64950
		64112	Automatic Pro-Sensor	✓	✓	Optional, ref. 64950
		64113	Hydrostatic Hammar	✓	✓	Optional, ref. 64950
		65538	Automatic Pro-Sensor	✓	✓	✓
		65539	Hydrostatic Hammar	✓	✓	Integrated as standard feature
<b>SL</b> 180	ORANGE	64968	Automatic	✓	✓	Optional, ref. 64950
		64969	Automatic Pro-Sensor	✓	✓	Optional, ref. 64950
		64970	Hydrostatic Hammar	✓	✓	Optional, ref. 64950

## Options & accessories

- **Sprayhood**  
64950  
12402-8 compliant.



- **W3 compact flashlight**  
60833



- **Safety knife**  
65475



- **Re-arm packs (38 g. CO<sub>2</sub>)** :  
Automatic : 64114  
Automatic Pro-Sensor : 64115  
Automatic Pro-Sensor Elite : 65872  
Hydrostatic Hammar : 64116

Dyneema® is a registered trade mark of DSM.



Hi-tensile fibre harness : soft loops in Dyneema® and webbing in polyester, combining reliability and resistance with lightweight and contact-friendly construction.



Mesh neckline with ergonomic design flexes around your shoulders. Strap adjustment for better fit in height, foam padded patch for added comfort.



Zipped pocket for safety equipment.



Outer shell closure with Quickburst® zip for air chamber to deploy instantly.

**EXCLUSIVE TECHNOLOGY** invented by Plastimo : To combine lightweight, performance and reliability, Plastimo replicates in the SL 180 lifejacket the polyurethane film air chamber, engineered in its liferafts for decades.

### SL 180 & SL 180 PoWerboating

#### Outer shell

Flexible and very comfortable. Soft mesh neckline, foam-padded back panel, retro-reflective stripe. Quickburst® zip outer shell closure. 1 zipped pocket for additional safety equipment (flashlight, PLB...).

#### Inflation – firing mechanism

Automatic, automatic Pro-Sensor or hydrostatic Hammar. 180 N actual buoyancy (38 g CO<sub>2</sub> bottle).

#### Air chamber

Fluo orange air chamber, fully stitched to outer shell. + polyurethane (PU) film buoyancy chamber inside. 2 attachment straps for extra equipment.

#### Visibility

- inflated jacket
- closed lifejacket

Fluo orange air chamber + 300 cm<sup>2</sup> sewn reflective tape. Reflective tape on outer shell.

#### Harness Buckles & straps

EN ISO 12401 harness (except on SL180 PW) : adjustable waist strap, 46 mm wide. Stainless steel quick fix/release side adjusters on all models. 60-130 cm waistline. Double crutchstrap (except SL180 PW).

#### Sprayhood ISO 12402-8

Originally integrated on ref. 65538 and 65539. Optional (ref. 64950) on all other models.



Hervé Gohanner ©

**MADE BY PLASTIMO**



J. M. Liof ©

**SL<sup>PW</sup>  
180**

### SL 180 PW lifejacket

(PoWerboating)

The SL 180 PW lifejacket is designed for powerboating : features a loop to clip the kill cord.



Model	Colour	Ref.	Inflation	Sprayhood
<b>SL<sup>PW</sup> 180</b>	<b>TURQUOISE</b>	<b>64966</b>	Automatic Pro-Sensor	Optional, ref. 64950
		<b>64967</b>	Hydrostatic Hammar	Optional, ref. 64950



© J. M. Liof

# Pilot 290 lifejacket

CE  
EN ISO  
12402-2  
12401

290  
Newton

3 year  
Warranty

Equally suitable for recreational navigation and for professional or industrial applications.

Rated 275 N category with **290 N actual buoyancy**.

Suitable for stout body sizes or wearers with heavy protection gear.

- Automatic or hydrostatic Hammar inflation.
- Double Quickburst® zip outer shell closure.
- Heavy duty outer shell.
- Integrated safety harness, stainless steel quick fix/release side adjusters.
- Comprehensive equipment and multiple possibilities for extra add-ons to customise your lifejacket.

Model	Ref.	Inflation	Sprayhood	Harness	Double crutchstrap	Flashlight
Pilot 290	65577	Automatic	Optional, ref. 64950	✓	✓	Optional
Pilot 290	65579	Hydrostatic Hammar	Optional, ref. 64950	✓	✓	Optional
Pilot 290 Ocean	65580	Automatic	✓ Integrated as standard feature	✓	✓	✓



Pilot 290 Ocean



PILOT 290 N	
Outer shell	Heavy duty outer shell fabric, PVC coated on one side. Dual Quickburst® zip closure. 3 Molle® attachment straps for extra accessories. 1 zipped pocket.
Inflation – firing mechanism	Automatic or hydrostatic Hammar. 290 N actual buoyancy (60 g CO <sub>2</sub> bottle).
Air chamber	Polyurethane (PU) air chamber.
Visibility	<ul style="list-style-type: none"> <li>• inflated lifejacket: Yellow bladder + 400 cm<sup>2</sup> reflective tape. SOLAS alkaline flashlight (on Ocean model).</li> <li>• closed lifejacket: 2 reflective piping on outer shell.</li> </ul>
Harness Buckles & straps	EN ISO 12401 harness built-in on all models : adjustable waist strap, 46 mm wide, with st. steel quick fix/release side adjusters. <b>60-175 cm waistline.</b> Double crutchstrap as standard feature.
Sprayhood ISO 12402-8	Originally integrated on Ocean model ref. 65580. Optional on other models (ref. 64950).

In addition to its original equipment (harness, crutchstrap...), Pilot 290 is **a modular lifejacket** which you can upgrade with add-ons to meet your needs.

- **Zipped pocket** for PLB or any equipment that requires protection.
- **Molle®\* system straps** : 3 straps sewn on the outer shell, to secure pouch ref. 65575 or any accessory with some attachment system.

(\*Molle : Modular Lightweight Load-carrying Equipment).

## Options & accessories

- **Molle® pouch 65575**  
Vertical, 17 x 10 cm (H x W)

- **Compact W3 flashlight 60833**

- **Sprayhood 64950**  
12402-8 compliant

- **Safety knife 65475**

- **Jack A1 alkaline flashlight 65558**

- **Re-arm pack**  
Automatic : 50375  
Hydrostatic Hammar : 61634

On Hammar models : a mesh patch built into the inner side of shell accelerates the water entry to trigger the firing head quicker.



# Easyfit lifejacket

## Comfort & ergonomy

- Short on chest for added comfort when sitting. Slip-over design **fits all body shapes and sizes**. Equally comfortable for male and female wearers. Provides total agility and freedom of movement, weight-free on the neck.
- Lightweight : Easyfit is **30 % lighter** than most equivalent lifejackets.
- **Balanced construction** : gas bottle, oral inflation tube and whistle are positioned at the centre of the jacket (+ location for optional flashlight and distress beacon) : the weight is centered.
- **CO<sub>2</sub> bottle is horizontal** below the sternum, more comfortable than vertical along your chest curves.
- Ideal on a sailing jacket : **no extra thickness in the neck**, that would add to the thickness of the hood folded in the collar.
- Stylish design : tailored with modern lines in harmonizing grey and white shades.

## Easy to operate

- Easy to don and belt-adjust. The jacket just fits naturally on your shoulder curves.
- Easy to keep-up : rinsing, drying and folding are much easier.
- Space saving : jacket stores flat, very practical in lockers or when stowed at home for wintering.

As with all lifejackets, Plastimo recommends to check regularly for potential wear and tear signs and to check the firing system at regular intervals.

EASYFIT no harness (EN 12402-3)	
Manual, no crutchstrap	<b>66008</b>
Automatic, no crutchstrap	<b>66010</b>
EASYFIT with harness (EN 12402-3/12401)	
Manual, with crutchstrap	<b>66009</b>
Automatic, with crutchstrap	<b>66011</b>

## Accessories

### Re-arming kit (33 g CO<sub>2</sub>) :

- Manual : **40199**
- Automatic : **40200**

Discover the new feeling to simply forget you are wearing a lifejacket.

Easyfit is another Plastimo innovation : our technicians really thought out of the box to develop a jacket that is unique in its look and also unprecedented in comfort and lightweight. Do try it on : its ergonomic slip-over design will impress you.

**CE**  
EN ISO  
12402-3  
12401

**165**  
Newton



**2** year  
Warranty

## EASYFIT 165 N

**Performance & recommended use**

**Rated 150 N, actual buoyancy 165 N.**  
**Turns wearer in upright position.**

Sail or power cruising, day outings,  
(Not suitable for intensive professional use).

**Non-inflated lifejacket**

- Outer side in abrasion resistant certified material. Velcro closure.
- Large flap over shoulder blades becomes a cushion to support the head when inflated.
- Waistbelt : polypropylene buckle + 40 mm wide polyester strap (fits waistline 60 to 130 cm). Two 40 mm straps in the back help keep the lifejacket properly positioned when inflated.

**Inflated lifejacket**

- Yellow polyurethane, 33 g CO<sub>2</sub> gas inflation bottle.
- Visibility : strap to secure flashlight (optional) + 300 cm<sup>2</sup> retro-reflective tapes.
- Oral inflation tube, whistle.

# Seapack lifejacket

**CE**  
EN ISO  
12402-4

**165**  
Newton



Designed for an emergency situation such as abandonment conditions.

## Seapack : 65731

Manual inflation.

Most compact : ideal format for a grab bag.

Can also be used on passenger vessels\*.

\*check regulation per type of vessel and transport.

Ideal in an emergency situation or as a spare / extra equipment in a grab bag. Seapack does however not replace a lifejacket that Plastimo recommends you to wear as a regular outfit when sailing.



Inflatable air chamber is protected in a vacuum sealed pouch, with quick tear opening.

## Accessories

• **Spare protection pouch : 65954**  
Pouch originally comes vacuum-sealed out of our factory. Easy to re-pack your Seapack once it has been blown open, by using this spare protection pouch after replacing gas bottle.

• **Re-arming kit : 40199**  
Manual, 33 g CO<sub>2</sub>.

**3** year  
Warranty

## SEAPACK 165 N

**Performance & recommended use**

**Rated 100 N, actual buoyancy 165 N.**

Manual firing only. Turns wearer in upright position.  
Coastal navigation.

**Air chamber**

- Yellow polyurethane, 33 g CO<sub>2</sub> gas inflation bottle.
- Strap to secure a flashlight.
- Oral inflation tube, whistle, 100 cm<sup>2</sup> retro-reflective tapes.
- Features superior to standard requirements : buoyancy upgraded to 165 N and grab handle.
- Waistbelt : polypropylene buckle + 40 mm polyester strap (fits waistline 60 to 130 cm).

**Vacuum pouch**

- Unmatched compactness, ideal in a grab bag. Vacuum sealed for extended life.
- Dimensions : 310 x 220 x 45 mm.
- Weight (including jacket) : 610 g.



# Pilot Pocket lifejacket

CE  
EN ISO  
12402-4

165  
Newton

3 year  
Warranty



## Pilot Pocket lifejacket

65850

165 N buoyancy ready for use, while you don't even feel like you are wearing a lifejacket : our famous Pilot 165 air chamber, integrated in a bum bag worn around the waist. Ideal for boardsports : stand-up paddle, canoe-kayak, water ski, wakeboard... Equally suitable for coastal navigation, tender shuttles or fresh water fishing and angling.

### High performance

Rated 100 N category with 165 N actual buoyancy. Keeps head and airways above water and turns wearer in the upright position. With 165 N actual buoyancy and the addition of a grab handle, performance features are superior to the standard requirements.

### Comfortable

- Lightweight and compact, leaves the wearer's upper body totally free.
- Ergonomic shape to really hug the wearer's body.
- Neoprene on inner side for added softness and comfort : feels smooth and comfy when worn next to the skin.

### Easy to operate

- **Manual firing** : jacket will not inflate if it is heavily splashed (waves) or dropped repeatedly in the water when wearer is in learning mode.
- In case of emergency, pull the handle to unfold the air chamber and then slip over your head and pull the cord to inflate.
- Can also be inflated directly (without pulling it out of bum bag first) and then pulled over your head once inflated.

### Practical and roomy

- Flat zipped pocket on the front to stash your essentials (keys etc. ...).
- Removable triangular pouch for additional stowage space.



### Removable pouch

Slides along the belt, Velcro flap closure, D ring inside.

Designed for small accessories (water, sunscreen...) for long outings, training sessions or sea treks.

Mesh pouch, 45° oriented for easy access : ideal for sunglasses, VHF, Ø 8 cm drinking bottle etc.

PILOT POCKET 165 N	
<b>Performance features</b>	Rated 100 N, actual buoyancy 165 N. Manual firing only.
<b>Bum bag</b>	Dimensions : approx. 330 x 130 x 70 mm. Weight : 600 g (incl. lifejacket). Soft and resistant materials : polyester, Ripstop and neoprene. Adjustable belt strap, 40 mm wide : fits waistline 60 to 130 cm. Front zipped pocket : 100 x 220 x 30 mm. Opens on 15 cm.
<b>Stowage pouch</b>	Dimensions : 25 x 18 cm. Weight : 70 g. For Ø 8 cm drinking bottle (0.5 L approx.) Polyester, Ripstop, mesh and neoprene materials.



# Seashore lifejacket

CE  
EN ISO  
12402-4

165  
Newton



Designed for water striding, seashore fishing or angling or any activity done immersed in the water. Features the air chamber of our Pilot 165 best-seller, integrated in an outer shell specifically tailored for an in-water activity that requires great agility.

## Seashore lifejacket

- Black : 65765
- Red : 65883

### Performance & recommended use

Rated 100 N, **165 N actual buoyancy**.

Provides support all around the head, self-righting capacity.

Designed to be used immersed, ideal for :

- Water striding (shoreline hiking),
- Beach fishing and cockle-picking, wading, surfcasting or flyfishing in river streams or strong current.
- Professional staff in coastal fisheries, oyster farms etc. . .

### Comfortable

- Short on chest with cutaway sides, rounded neck.
- Lightweight and ergonomic for a greater agility in the water.
- Adjustable belt fits waistline 60 to 130 cm.

### Easy to operate

- **Manual firing** : designed to inflate only if the wearer activates the firing handle intentionally (or a person nearby who would see the wearer in a potentially dangerous situation).
- In case of emergency, just pull the green firing handle that will cause the air chamber to inflate and deploy.



Seashore lifejacket designed in cooperation with French National School of Nautical Sports (ENVSN) and the water striding club of Larmor-Plage.

3 year  
Warranty

### Options & Accessories

- **Molle® pouch 65575**  
Vertical, 17 x 10 cm (H x W).



- **Lifeline bundle 65767**  
Mesh bag contains 20 m lifeline. Designed to be attached on the instructor's back when water striding in a row.



PILOT SEASHORE 165 N	
<b>Performance features</b>	Rated 100 N, actual buoyancy 165 N Manual firing only.
<b>Outer shell</b>	<ul style="list-style-type: none"> <li>• Mesh textile material on the front to allow water drainage. Also facilitates fresh water rinsing and air drying.</li> <li>• Fluo green firing handle : easy to spot in order to make deployment instantaneous if necessary. Can be pulled by wearer or person nearby.</li> <li>• Fluo green loop in the neck to piggyback a person in a difficult condition.</li> <li>• 3 straps on both sides to secure safety or fishing equipment (safety knife, torch, extra pouch...).</li> <li>• Waistbelt : polypropylene buckle + 40 mm adjustable polyester strap (fits waistline 60 to 130 cm). 40 mm strap in the back helps keeping the lifejacket properly positioned when inflated.</li> <li>• Visibility : 2 reflective piping. Whistle on outer shell, accessible at all times even if lifejacket is not inflated.</li> </ul>
<b>Air chamber</b>	<ul style="list-style-type: none"> <li>• Yellow polyurethane, 165 N buoyancy (33 g CO<sub>2</sub> bottle).</li> <li>• Visibility : strap to secure a flashlight + 100 cm<sup>2</sup> retro-reflective tapes.</li> <li>• Tube for oral inflation.</li> </ul>





Coastal  
66002

Offshore  
66003

Ocean  
66004

Compliant with Division 240  
French regulation.

Our first aid kits contain the medicine and products that comply with the French regulation (Division 240). They feature the minimum contents to allow the crew to cope with most incidents. As he feels appropriate, the skipper should not hesitate to top-up with additional medicine to match the navigation programme and the potential specific needs of some crew members.

## First aid kits

Allow the crew to cope with most incidents on board. 3 kits for coastal, river or blue water sailing. Come in a handy plastic case.

Ref.	Model	Type of navigation	Description
<b>66002</b>	Coastal	Coastal sailing : within 6 NM from shelter	Grey case 22 x 27 x 7 cm. Weight 0.400 kg
<b>66003</b>	Offshore/ Waterways	Offshore & river sailing : 6 to 60 NM from shelter	White case, 22 x 27 x 7 cm. Weight 0.700 kg
<b>66004</b>	Ocean	Blue water sailing : beyond 60 NM from shelter	White case, 37 x 25 x 9 cm. Weight 1.500 kg

Contents	Coastal <b>66002</b>	Offshore/ waterways <b>66003</b>	Ocean <b>66004</b>
First aid guidance English/French	1	1	1
Sterile gauze pads 7.5 x 6.5 cm	5	5	5
Adhesive dressing to cut, 1 m x 6 cm	1	1	1
Adhesive dressings 1.9 x 7.2 cm	10	10	10
Small round adhesive dressings	10	10	10
Paraffin gauze dressings, 10 x 7.5 cm	-	-	8
Non-woven adhesive tape 5 m x 1.25 cm	1	1	1
Compression adhesive bandage	-	-	1
Cohesive elastic bandage 4 m x 10 cm	-	1	1
Hemostatic pad	-	1	1
Chlorhexidine sachets	-	10	10
Hydro-alcoholic gel	-	1 x 100 ml	1 x 100 ml
Vinyl gloves	-	2 pairs M + 2 pairs L	2 pairs M + 2 pairs L
Foil survival blanket	-	1	1
Safety pins	-	-	12
Scissors	-	-	1
Tweezers	-	-	1
Electronic thermometer	-	-	1

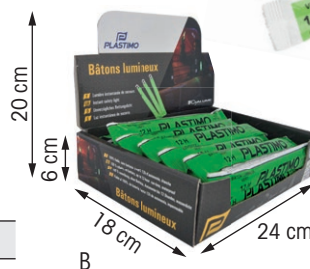
## Lightsticks



Essential safety equipment, becomes indispensable for every crewmember sailing at night. **Visible at a distance of over 1 NM,**

with eyelet to attach to sailing jacket or lifejacket. 100 % reliable, unbreakable, non-corrosive, watertight, floating, nontoxic. Does not produce any flames or sparkles, nonflammable, does not require any batteries and can be used in a variety of circumstances : Man overboard, gas leak, electricity failure or black-out, engine breakdown, windward use, in or below the water, mooring light. . .

- Floating stick 24 x 2 cm, with attachment eyelet.
- Produces a bright light instantly.
- Minimum range 1 NM.
- Phthalate-free.



Type of stick	Ref.	Run time	Icon
Green lightsticks x2	<b>301487</b>	12 hours	2 lightsticks
A Green lightsticks x3	<b>65934</b>	12 hours	3 lightsticks
Green lightsticks x10	<b>19668</b>	12 hours	10 lightsticks
B Display box*, with 24 green lightsticks	<b>65933</b>	12 hours	Box of 24 lightsticks
C 3 assorted lightsticks : blue, red, green	<b>38847</b>	Blue : 8 hours Red & Green : 12 hours	3 lightsticks
- 3 assorted lightsticks : white, red, green	<b>65935</b>	White : 8 hours Red & Green : 12 hours	3 lightsticks
D Infra-red lightstick	<b>301715</b>	8 hours	100 lightsticks

\*Display box can be refilled with any colour lightsticks.

## Fire blanket 65757



Fibreglass fire blanket in rigid ABS container. Complies with BS EN 1869 standard. Blanket : 1.10 m x 1.10 m. Material is continuous filament glass cloth. Container : 200 x 170 x 30 mm Pull twin tabs to operate.



# Lifecell

A buoyant platform that stores all essential emergency gear : combines the functions of ditch kit and lifefloat.

- Provides safe and waterproof storage for distress flares, handheld VHF, lightsticks, EPIRB and PLB and any survival or rescue equipment.
- Lifefloat for casualties

65936



Contents/emergency equipment not included



65936

SOLAS approved in orange colour.



65939

2 year Warranty

Model	Ref.	Colour	Provides buoyancy for	Actual buoyancy	External dimensions	Dry storage capacity	Dry storage dimensions	Provides dry storage for
Trailer Boat	65936	Orange/SOLAS	1 person	15 kg	420 x 420 x 170	4 Litres	200 x 270 x 75	2-4 persons
	65937	White						
Yachtsman	65938	Orange/SOLAS	1 person	20 kg	590 x 420 x 170	7,8 Litres	285 x 260 x 105	4 persons
	65939	White						
Trawlerman	65940	Orange/SOLAS	3 persons	50 kg	535 x 560 x 220	11 Litres	295 x 235 x 160	6 persons
Crewman	65941	Orange/SOLAS	4 persons	60 kg	700 x 580 x 220	17,2 Litres (11 + 5,2 L)	295 x 235 x 160* 140 x 235 x 160**	8 persons

Dimensions in mm

\*Main dry box / \*\*Second dry box



65940



Crewman 65941 : main dry box + second dry box



Lifefloat



## Insulated immersion suit



- Size L : 65553 (1.70 to 1.90 m)
- Size XL : 65564 (1.90 to 2.05 m)

Provides **buoyancy (150 N)** and **thermal insulation** to professionals onboard commercial and fishing vessels, windfarms and oil-rigging platforms.

- 5 mm CR neoprene, fire-retardant.
- 3-finger gloves.
- Non-slip rubber soles.
- Head cushion supports the neck and provides optimal floating angle
- Retro-reflective tapes on head, chest, arms and legs
- Whistle, lifeline, grab handle, hauling harness. Must be completed with a SOLAS safety light.
- Comes in a carry bag + paraffin wax for zipper care.

# Shorewear



Regular fit on men's jacket.



Slim fit on women's jacket.



Removable hood with microfleece lining for added warmth. Adjustable hood depth with Velcro tape. Hood opening adjusted by drawcord.

Size	Women	Men
XS	<b>66025</b>	-
S	<b>66026</b>	<b>66030</b>
M	<b>66027</b>	<b>66031</b>
L	<b>66028</b>	<b>66032</b>
XL	<b>66029</b>	<b>66033</b>
XXL	-	<b>66034</b>

## Softshell hooded jacket

Breathability and thermal comfort, lightweight and freedom of movement



A close-fitting and stretchy garment, ideal for boating in cold weather conditions.

Resistant to humidity and abrasion : equally suitable for outdoor activities.

- 95% polyester and a 5% touch of spandex for stretch comfort.
- Breathable and water repellent.
- Colour : black.
- Polar microfleece lining.
- Removable zippered hood, insulated with micropolar fleece lining.
- Close-fitting and adjustment : tightening at hood, hem and wrists.
- Zippered pockets : 3 outside, 1 inside.
- Subtle Plastimo embroidery on upper back.



## Knit beanie hat

Black : 66051

100% acrylic, excellent thermal comfort. Dries fast and stays in shape. One size fits all.



## Cotton beanie hat

Black : 66052

95% cotton and a 5% touch of spandex for stretch and better fit. Polar fleece lining delivers great thermal comfort. Flatlocked seams. One size fits all.



100% polyester lining with mesh at armholes. Fleece lined collar.



Inside : 2 zippered pockets, one of which with slot to run headphones cable through.



Ideal as team or corporate clothing : easy access on chest and upper back of the vest for logo embroidery or screenprinting.

## Outdoor vest

Comfort and warmth, unrestricted mobility. Equally suitable on board or in the marina, as well as for any outdoor activity.

- 100% padded polyester.
- Water-repellent with waterproof zips.
- Fleece lining in pockets and collar.
- 2 zippered handwarmer pockets.
- 2 zippered inner pockets (1 pocket with slot to run headphones cable through).
- Subtle Plastimo embroidery on upper back.
- Unisex tailored.

Size	White	Navy blue
XS	<b>66045</b>	<b>66148</b>
S	<b>66046</b>	<b>66149</b>
M	<b>66047</b>	<b>66048</b>
L	<b>66146</b>	<b>66049</b>
XL	<b>66147</b>	<b>66050</b>



Regular fit on men's sweater.



Slim fit on women's sweater.

## Microfleece full zip sweater

Warm and comfortable, lightweight and breathable. Excellent middle layer.

- Navy blue colour.
- Centre front zipper.
- 2 zippered pockets.
- Flatlocked seams on sleeves.
- Elasticized hem and wrists.
- Subtle Plastimo embroidery on upper back.

Size	Women	Men
XS	<b>66035</b>	-
S	<b>66036</b>	<b>66040</b>
M	<b>66037</b>	<b>66041</b>
L	<b>66038</b>	<b>66042</b>
XL	<b>66039</b>	<b>66043</b>
XXL	-	<b>66044</b>

# Dry bags

## Wet and Dry bag

• **Black/Red : 65839**

Clever and handy : isolate your wet equipment from your dry essentials !

Bag consists in two compartments :  
**one compartment designed for wet equipment**, very easy to access on the outside. Features a mesh front for air flow and drainage ;  
**one waterproof (IP66) compartment for dry clothes** and belongings, with zippered inside pocket.

• Fully adjustable and padded shoulder straps.

• **Waterproof dry compartment (IP66 rating)** : thermo-welded seams, roll-down closure with buckle and strap.

• Tough abrasion resistant Tarpaulin 500D material + wet pocket in Ripstop 210T.

• **35-Litre total capacity** : 25 L for Dry compartment + 10 L for Wet compartment.

• Dimensions : Ø 30 cm x height 84 cm.



**IP66 protection rating :**  
 - Waterproof, can handle quick immersion.  
 - Sand and dirt proof.



Backpack or hand-carried.



Roll-down closure with buckle fastening (IP66 waterproof rating for Dry compartment).



Easy access to Wet compartment, 10-Litre capacity.

Foam padded back with air flow feature for extra comfort as a backpack.



## Barrel bag

• **Orange/black : 66058**  
 • **White/navy : 66059**

All-rounder dry tube, protects and carries your personal essentials when practising watersports or outdoor activities by the seaside.

**Waterproof, IP66 rating** : thermo-welded seams, roll-down closure with buckle and strap.

Tough abrasion resistant materials : Tarpaulin 500D and Polyester 600.

• **Capacity : 20 L.**

• Dimensions : Ø 26 cm x height 48 cm.



Double shoulder rope, adjustable in length : carry it on your shoulder or as a backpack.



Practical top carry handle



# VHF radios



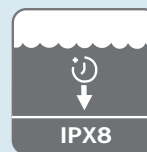
## HX300E handheld VHF

**66309**

Includes battery, USB DC charger + cable, belt clip and hand strap.

### Waterproof and floating

- 5 Watt / 1 Watt marine VHF.
- Screen size : 35 x 20 mm.
- Submersible to IPX8.
- 220 V charger.
- Flexible antenna.
- Includes Li-Ion 1800 mAh battery.
- USB port for charging.
- Dimensions without antenna : 13.6 x 6.4 x 5.2 cm (including antenna : 28.5 x 6.4 x 5.2 cm).
- Weight : 240 g.



**IPX8 protection rating :**  
 - Protected\* against water submersion at 1.5 m depth for 30 minutes.  
 \* only if battery cover is latched and charger cover is snapped closed.  
 (IP) Ingress Protection



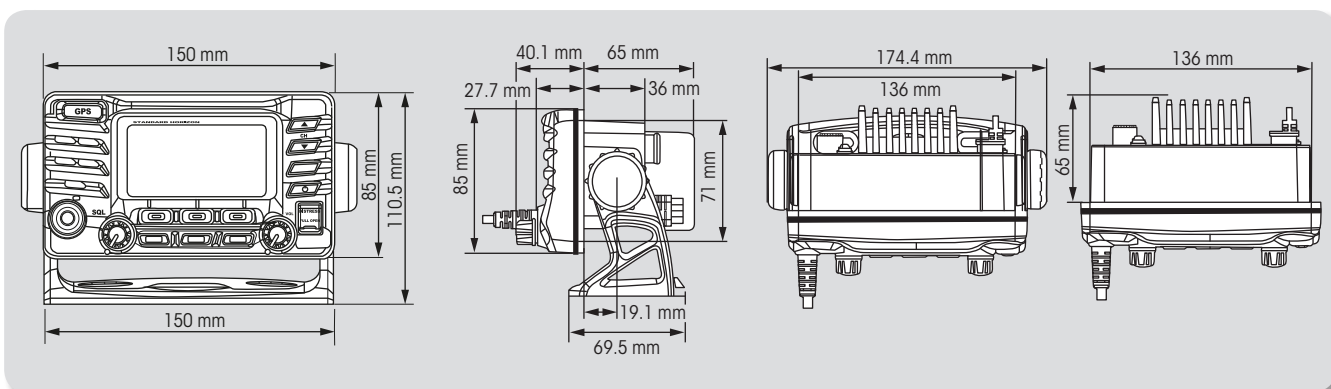
## GX1700DE fixed-mount VHF

**66310**

Waterproof and most compact : only 6.5 cm rear case depth.  
 Class D DSC. Integrated GPS antenna.

- 25 Watt marine VHF.
- **Integrated GPS antenna.**
- Submersible to IPX8.
- Backlighting adjustment.
- Large 34 x 70 mm LCD display.
- Class D DSC (Digital Selective Calling).
- Navigation data shown on display : LAT LONG SOG COG.
- Can store up to 100 Wpt and navigate to them.
- Input/output NMEA port.
- Noise cancelling microphone with channel selection and Hi-Low volume tuning.
- Front facia dimensions : 15 x 8.5 cm.
- Rear case depth : 6.5 cm.
- Weight : 900 g.

Distress function.  
 Reduced rear case depth.





# GPS – chart plotters



**IPX6\* protection rating :**  
Protected against heavy waves and water projection.  
Not protected against submersion.  
(\*IP : Ingress Protection)

## GPS N500 and NF500

- **N500** GPS-chart plotter : 66303
- **NF500 Combo** : 66304  
GPS-chart plotter + depth sounder

Come complete with bracket, power cable and weather cover.  
(+ transom transducer for NF500)



NF500 Combo :  
GPS-chart plotter and depth sounder

### N500 & NF500 common features

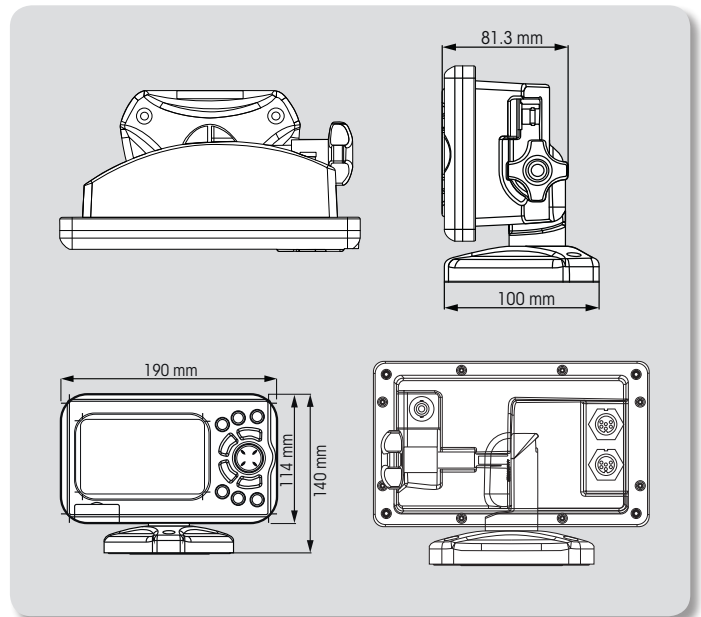
- **5" colour display**, high resolution TFT 800 x 480 pixel
- S+MAP very detailed cartography of France (other countries coming soon) : free download on [www.plastimo.com](http://www.plastimo.com) , « GPS cartography » tab (micro SD card not supplied).
- CMAP® MAX or Navionics® Gold charts can also be used (micro SD format).
- Integrated GPS antenna as standard feature (external antenna optional).
- Hi-res LCD display, daylight viewable (anti-reflective) with anti-fogging coating and LED backlighting with 10-step adjustment scale.
- AIS compatible.
- NMEA 0183 interface ( 2 inputs and 2 outputs) for AIS, NAVTEX, DSC, VHF, etc.
- Intuitive user-friendly operation, multilingual menu.
- Waterproof to IPX6 .
- Watertight connectors and cables compatible with Advanse GPS and Combo as well as with some Navman GPS and Combo.

### NF500 additional performance features

- Sonar : single frequency 200 kHz and 300 W output + dual frequency 50/200 kHz and 600 W output
- Sounding capability : 2 to 600 m depth



P58 transom transducer included



## Options & Accessories



- **External GPS antenna : 66307**  
Some installations may require adding an optional external passive antenna. BNC plug and 10 m cable included



- **St. steel flushmount antenna holder : 66351**



- **Power cable : 66306**  
Compatible with Advanse T.50, T.56, C.56 and some Navman instruments.

# Bowsprits



## Race bowsprits

316L stainless steel and Blackline PVC platform.  
Designed to withstand heavy loads, with sailing performance in focus.  
Designed for Code 0 and gennaker sails.

With a stripped-down racing design, it is the perfect option for sailors who aim for an ultimate sailing experience, still enjoying full comfort and safety while getting onboard or off the boat.

Also ideal to upgrade your boat with an asymmetrical spinnaker.

Existing bow roller can be maintained, as the mooring line can be fed through the space between platform and bow.



Race 80,  
ref. 66359



Race 100,  
ref. 66360

For boat	Model	Ref.	Length	Width	Tube Ø
8-10 m (26-32")	Race 80	<b>66359</b>	800 mm	330 mm	32 mm
9-13 m (30-42")	Race 100	<b>66360</b>	1000 mm	390 mm	42 mm



### Option

#### Removable 3-step ladder : 66361

Foldable ladder, for Race 80 and 100 bowsprits.  
Last step folds up.

To get on and off the boat easily from the dock, on bow side.  
Sturdy handles for excellent grip.

- Height when deployed : 900 mm.
- Height when folded up : 615 mm.
- Width : 200 mm.
- Hooking length on platform : 130 mm.

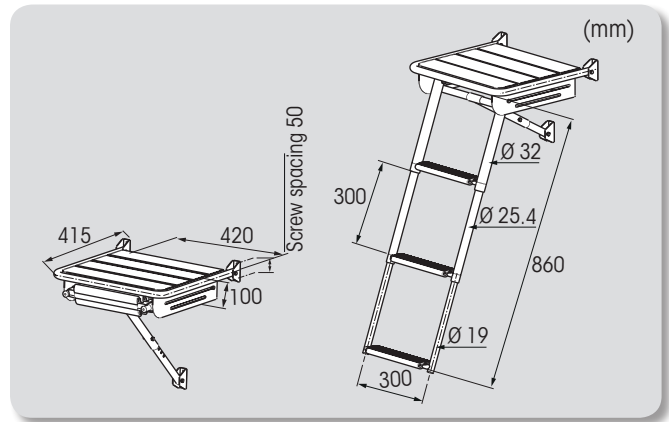


# Telescopic ladders

Designed by Plastimo R & D to be suitable for all boats, depending only on the position and the space available on board. 316L stainless steel tubing.

## Teak platform + telescopic retractable ladder

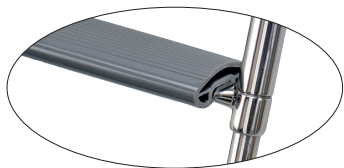
• 3 steps : 65959



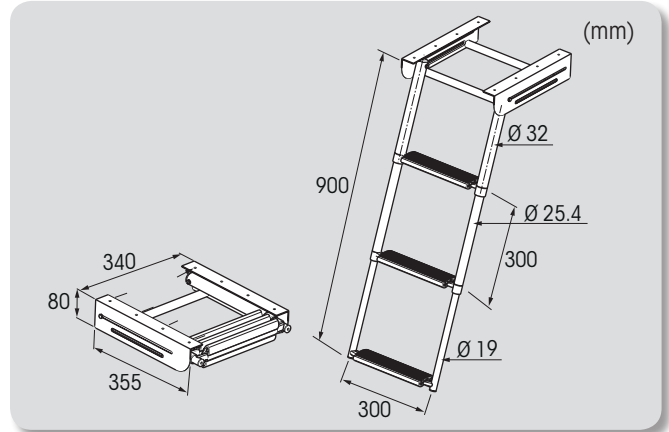
## Telescopic retractable ladder, under platform

• 3 steps : 66344

Same model as 65959, but as ladder alone (no platform).

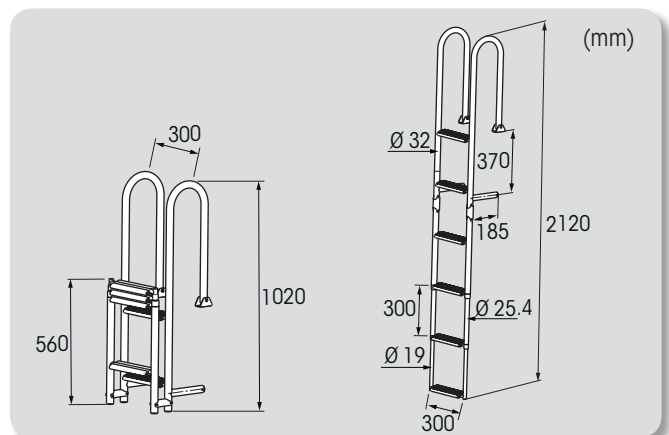


Anti-slip grey PVC steps, 70 mm wide for increased stability. Ergonomic shape, foot-friendly steps even with bare feet. Exclusive Plastimo design with integrated cushioning system.



## Telescopic folding ladder with 180° grip handles

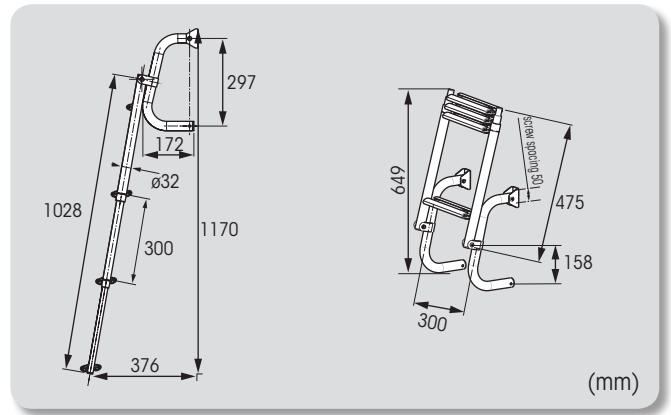
• 6 steps : 65958





### Tilt-up telescopic ladder for transom

• 4 steps : 65957



### Folding aluminium ladder

**10192**

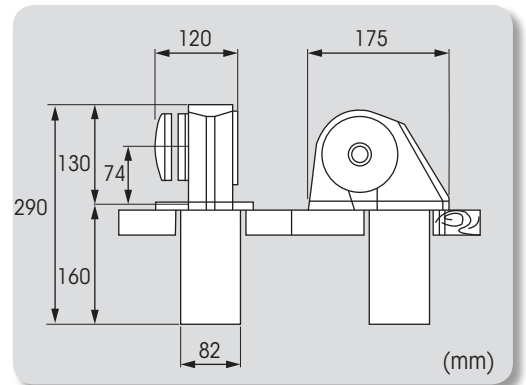
Aluminium, 2 steps.  
For RIB's and inflatables.

- Width : 330 mm.
- Height : 810 mm.

## Horizontal windlasses



Horizontal windlasses without drum, 500 or 700 Watt.  
Anodized aluminium body, 12 V.



Model	Ref.	Gipsy	Lift working load	Max. lift load	Hauling speed	Consumption	Weight
500 W	<b>66296</b>	6 mm chain/ 12 mm rope	90 kg	280 kg	25 m / min.	60 Amp	8 kg
700 W	<b>66297</b>	8 mm chain	100 kg	350 kg	28 m / min.	90 Amp	8.5 kg

#### Accessories

- **Circuit breaker**  
For 500 W : 63534  
For 700 W : 63535

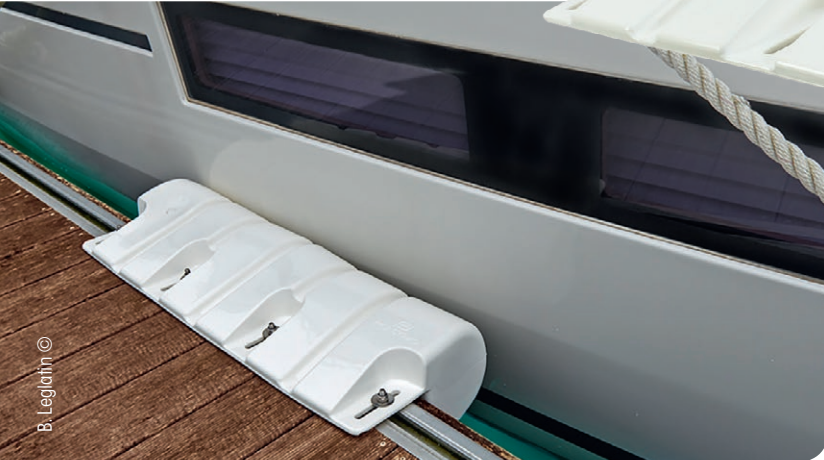


- **Up-Down footswitch**  
Stainless steel.  
Up : 66294  
Down : 66295

#### Spare parts

	For 500 W	For 700 W
<b>Connector</b>	<b>64684</b>	<b>64684</b>
<b>Gipsy</b>	<b>66298</b>	<b>66299</b>
<b>12 V motor</b>	<b>63532</b>	<b>63533</b>

# Bumper & fenders



## Bumper, dock fender

Bumper : really efficient dock fender (patented design), to be fixed on the pontoon.

- Provides efficient protection to the bow and amidships, depending on location. Suitable for all pontoon or catway shapes thanks to **no-drill fixing system**.
- Sturdy construction (150 mm thickness on impact zone) rotomoulded PVC.
- UV protected.
- **Max. pressure : 0.10 bar / 1.45 psi.**

Ref.	Colour	Dimensions
<b>65690</b>	<b>White</b>	
<b>65928</b>	<b>Blue</b>	900 x 307 mm
<b>65929</b>	<b>Grey</b>	

*Dock-bolting kit not originally included, must be ordered additionally.*

**MADE BY  
PLASTIMO**

Patent n° 17-50436



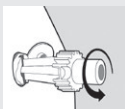
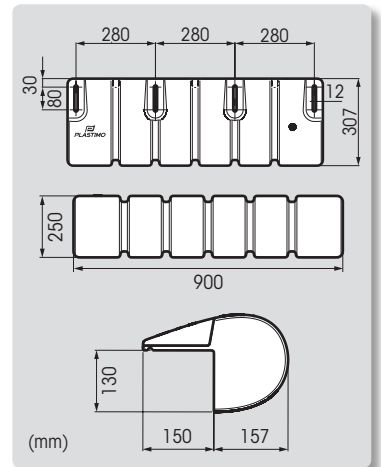
Can be adjusted from 40 to 120 mm to the edge of the pontoon.

### Option

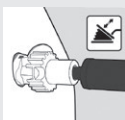
#### Dock-bolting kit :

- **4 T-bolts in 316 st. steel : 65843**

To secure the Bumper on the aluminium track of the pontoon : includes 4 T-bolts, nuts and washers.



Valve in injected polyethylene.  
 • can be replaced in seconds.  
 • 100 % corrosion-free.  
 • features a protection cap.



**Spare valve**  
 • **Black valve and cap : 63935**  
 • **White valve and cap : 63936**  
 For Performance fenders and Bumpers



**Adapter for Plastimo valve 56860**

Specially designed to inflate Performance fenders and Bumpers. Compatible with all our pumps and inflators.



Two clever solutions created by the Plastimo R & D : particularly adapted to rigid inflatable boats or any boat with a rounded hull.

Rotomoulded PVC construction, UV protected.



### Articulated RIB fender

- **White : 66345**

- **Blue : 66346**

Comes with 1 m Ø 5 mm rope.

A traditional fender will tilt away from the hull and may eventually slip above or below, whereas the articulated RIB fender follows the curves of the hull and remains in the right position to protect the boat efficiently.

White or blue PVC.

Dimensions : 12 x 48 cm (Ø x Length).



### Half-moon fender

- **White : 66347**

- **Blue : 66348**

3 half-moon fenders, assembled on a 1 m webbing strap.

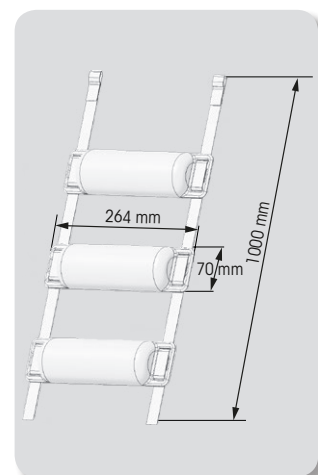
White or blue PVC, UV-protected.

Dimensions of every half-moon : 7 x 26.4 cm.

Clever combination of 3 small half-moon shaped fenders, positioned along a 1 m long webbing strap with a loop at all 4 ends.

Provides efficient protection against rubbing and chafing : adapts to all hull shapes, and more particularly to RIB tubular shapes.

Also ideal to protect the hull or the tubes of a RIB when trailered : just insert the half-moon fenders between the boat hull and the belts that secure the boat on the trailer.



# Filters



66121



66122



66123

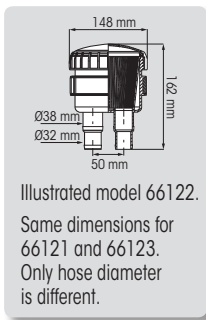


66124

## Water filters

Water filters for engine cooling.

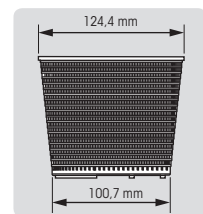
For hose	Ref.
Ø 19-25 mm / 3/4" - 1"	<b>66121</b>
Ø 32-38 mm / 1" ¼ - 1" ½	<b>66122</b>



## Air filter

Active carbon filter for ventilation.

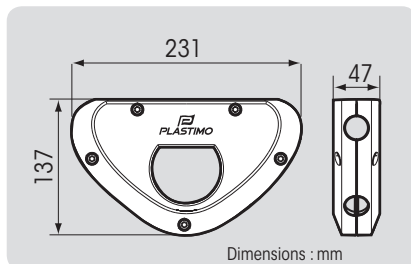
Description	Ref.
Air filter for hose Ø 19-25 mm / 3/4" - 1"	<b>66123</b>
Spare active carbon cartridge	<b>66124</b>



# Outboard motor holder



**MADE BY PLASTIMO**



## Outboard motor holder

- White : 61535
- Grey : 65628

Features a built-in compartment to store the cable neatly.  
Fibreglass reinforced polyamide 6 and st. steel screws.  
Mounting on Ø 25 mm stainless steel tube.  
90 cm st. steel sheathed cable included (Ø 4.2 mm).  
**For motor 5 HP max. (30 kg max.).**



# Fender profiles



Sphaera mounted on Standard base



Sphaera mounted on Slim base

St. steel profile on Slim base

St. steel profile on Standard base



## Sphaera 25 st. steel fender profiles

316L stainless steel 25 mm wide fender profiles combining excellent resistance to shocks and abrasion with awesome look. Duralene® inner core facilitates bending and guarantees perfect hull-hugging.

Fender profile adapts either on a PVC Slim or Standard base.

	Create your own SPHAERA 25 fender kit	On Slim base	On Standard base
A	<b>Stainless steel Sphaera fender profile, 25 mm wide</b> (6 profiles x 2.60 m)	<b>66190</b>	<b>66190</b>
B-C	<b>White PVC base</b> (16 m roll)	<b>66188</b> (B)	<b>66189</b> (C)
D	<b>Stainless steel junction top cap</b> (x 1 cap)	<b>66191</b>	<b>66191</b>
E-F	<b>Stainless steel end cap</b> (66193 = 1 end-cap / 66192 = 2 end-caps)	<b>66193</b> (E)	<b>66192</b> (F)

### Mounting Sphaera on Slim base :



### Mounting Sphaera on Standard base :



White Radial PVC, 30 mm

Black Radial PVC, 40 mm



## Radial PVC fender profiles

White or black PVC fender profile, 30 or 40 mm wide, mounted on a rigid track.

End caps and junction caps in PVC or stainless steel, for an even more stylish look.

Bends easily and can be cold fitted in seconds.

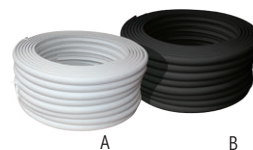
	Create your own RADIAL fender kit	30 mm wide	40 mm wide
	<b>PVC Radial profile</b> (16 m coil)		
A	• White	<b>66195</b>	<b>66201</b>
B	• Black	<b>66196</b>	<b>66202</b>
C	<b>Rigid track</b> (8 tracks x 2 m)	<b>66194</b>	<b>66200</b>
	<b>Junction top cap</b> (x 1)		
D	• White PVC	<b>66199</b>	<b>66199</b>
-	• Black PVC	<b>66227</b>	<b>66227</b>
E	• Stainless steel	-	<b>66206</b>
	<b>Profile end cap</b> (x 1)		
F	• White PVC	<b>66197</b>	<b>66203</b>
-	• Black PVC	<b>66226</b>	<b>66228</b>
G	• Stainless steel	<b>66198</b>	<b>66204</b>

### Mounting a 40 mm Radial fender profile :

- With PVC fittings (black or white)



- With stainless steel fittings







## Bimini tops

100 % polyester fabric, manufactured in Italy : a high quality fabric, strong and lightweight, with excellent dimensional stability. Treated for waterproofness, UV longevity, mildew and chemicals resistance. High frequency welded seams provide added strength and elegant finish, combined with abrasion resistance.

**LIFETIME**  
Warranty

**TESSILMARE**

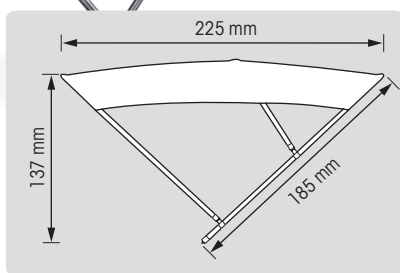
**Nominal width:** suitable for  $\pm 5\%$  actual width.  
Example : a 200 cm nominal width will adapt to a real boat width of 190 to 210 cm.

Model	Biminox 3 arches	Aluminium 3 arches	Aluminium 2 arches
<b>Tubes / structure</b>	316 L AISI stainless steel, $\varnothing$ 22 mm	White epoxy coated aluminium, $\varnothing$ 20 mm	White epoxy coated aluminium, $\varnothing$ 20 mm
<b>Plastic junctions</b>	Glass-reinforced Zytel nylon	Glass-reinforced Zytel nylon	Glass-reinforced Zytel nylon
<b>Metallic junctions and buckles</b>	316 L AISI stainless steel	316 L AISI stainless steel	316 L AISI stainless steel
<b>Weight (average)</b>	14 kg	6 kg	4 kg
<b>Max. speed of use</b>	60 Km/h 33 knots	60 Km/h 33 knots	40 Km/h 22 knots
<b>Assembly</b>	Supplied in kit, easy to assemble.	Supplied folded and pre-assembled.	Supplied folded and pre-assembled.
<b>Accessories included in original pack</b>	<ul style="list-style-type: none"> <li>Storage sleeve for folded bimini.</li> <li>4 tie-down straps + 4 strap eyes</li> <li>Quick release tie-down latch and deck hinge.</li> </ul>	<ul style="list-style-type: none"> <li>Storage sleeve for folded bimini.</li> <li>4 tie-down ropes + 4 strap eyes.</li> <li>Nylon rowlock attachment (male + female).</li> </ul>	



**Biminox**  
3 arches,  
316 L  
stainless steel

Colour	Nominal width	Ref.
Beige RAL 1001	170 mm	<b>66162</b>
	185 mm	<b>66163</b>
	200 mm	<b>66164</b>
	215 mm	<b>66165</b>
	230 mm	<b>66166</b>
	245 mm	<b>66167</b>

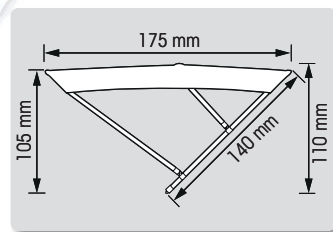


Colour	Nominal width	Ref.
Navy blue RAL 5011	170 mm	<b>66168</b>
	185 mm	<b>66169</b>
	200 mm	<b>66170</b>
	215 mm	<b>66171</b>
	230 mm	<b>66172</b>
	245 mm	<b>66173</b>

## Aluminium bimini top, 3 arches

Epoxy coated aluminium, Ø 20 mm.

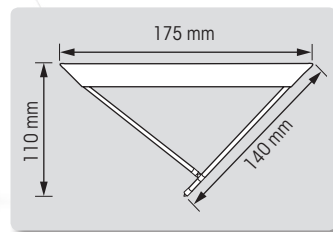
Colour	Nominal width	Ref.
Off-white RAL 9003	170 mm	<b>66156</b>
	185 mm	<b>66157</b>
	200 mm	<b>66158</b>
Light grey RAL 7004	170 mm	<b>66159</b>
	185 mm	<b>66160</b>
	200 mm	<b>66161</b>



## Aluminium bimini tops, 2 arches

Epoxy coated aluminium, Ø 20 mm.

Colour	Nominal width	Ref.
Off-white RAL 9003	110 mm	<b>66150</b>
	130 mm	<b>66151</b>
	150 mm	<b>66152</b>
Light grey RAL 7004	110 mm	<b>66153</b>
	130 mm	<b>66154</b>
	150 mm	<b>66155</b>



## Accessories for bimini tops



### Support poles

- St. steel, Ø 22 mm : **66184**
- Aluminium, Ø 20 mm : **66185**



66178



66179

### Deck hinges for RIBs and inflatables

- St. steel + nylon for Biminox : **66178**
- Nylon for aluminium bimini tops : **66179**



### Quick-release tie-down latch : **66187**

(included originally with Biminox models)

### Jaw slides

- St. steel jaw slide, for rail Ø 25 mm : **66180**
- Nylon jaw slide, for rail Ø 25 mm : **66181**



66181



66180

### Nylon rowlock attachment

- Nylon rod (male part) : **66182**
- Nylon base (female part) : **66183**

(rod + base are included originally with aluminium bimini tops)



### Deck hinge

- St. steel + nylon deck hinge : **66174**
- (included originally with Biminox models)



### Tie-down rope

- 4 ropes + 4 strap eyes : **66186**
- (included originally)



### Tracks

Adjustable tracks in aluminium and nylon.

- Top-mount track, 105 cm : **66175**
- Side-mount track, 105 cm : **66176**
- Top or side mount track, 100 cm : **66177**



# Watersports towers



6063-TE aluminium,  
aeronautical grade

## HS1 sportstower by Monster Tower

The ultimate in watersports towers : construction combines 6063-TE aluminium tubing and cast mounting bases.

HS1 is a superior product, providing excellent pulling power and a factory installed appearance.

**Fully collapsible** : captive quick release knobs allow for ultra quick folding.

In addition to its sturdiness, HS1 tower gives your boat an awesome look.

For boat size	Description	Ref.	Model	Warranty	Code
Length 4.80 m and more. Width 1.93 to 2.43 m	2-bar top for accessories	<b>65725</b>	HS1, glossy black aluminium	5 years	SOT504
		<b>65754</b>	HS1, natural silver aluminium	5 years	SOT500

Accessories not included, except 360° navigation light (2 NM visibility, COLREG 72).



Folds aft without tools,  
ideal under an awning  
or to fit into a garage  
or a boat house  
for wintering.

- Polished anodized 6063-TE aluminium (aeronautical grade) :  
Ø 64 mm (2,5") on top bar, Ø 57 mm on front leg, Ø 48 mm on back leg.
- Quality finish for durability, backed up by a **5-year warranty**.
- Engineered to easily mount on top of gunwales, requiring a 400 x 64 mm unobstructed flat surface.
- Headroom : 1.10m (from cast base to bottom of top bar, need to add cockpit depth).
- Dual top bar for additional strength and accessory mounts.
- 360° navigation light included (2 NM visibility, COLREG 72).
- Pre-drilled concealed wiring holes for lights, speakers, etc.
- **Fully collapsible** : folds aft without tools, simply with the captive quick-release knobs.
- Easy DIY or professional installation.
- Completely silent.

**5** year  
Warranty

So much more fun for you and your guests!  
In addition, the HS1 Monster Tower not only gives  
your boat an awesome look, it also potentially  
increases its value.

When selecting accessories,  
please check our  
"tube diameter" document  
on [plastimo.com](http://plastimo.com)





## Bimini-top for HS1 sportstowers

Designed to mount over the HS1 wakeboard tower, affords optimum headroom.

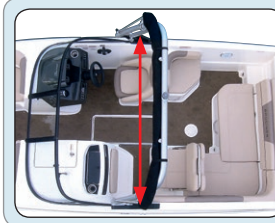
- Polished anodized aluminium tubing and black nylon hardware.
- Solid black Sunbrella® fabric, rotproof and UV-treated : 10-year warranty on fabric.

Mounts on the front tubing of HS1 tower and provides shade to protect driver and spotter.

Folds along the tower main frame when not in use. Supplied with storage sleeve for folded down bimini.



Model – Bimini HS1	Ref.	Code
<b>Small* : 193-208 cm</b>	<b>66142</b>	BIM-HS1-S
<b>Medium* : 210-224 cm</b>	<b>66143</b>	BIM-HS1-M
<b>Large* : 226-244 cm</b>	<b>66144</b>	BIM-HS1-L



**\*Which bimini size for my boat ?**  
Measure from centre-of-gunnel to centre-of-gunnel across the width of your boat, just behind the windshield.

## Accessories Monster Tower

WAKEBOARD TOWERS & ACCESSORIES

- **Clamps for Monster Tower accessories 65015**

Aluminium, Ø 2.5".  
To combine towers and accessories of different diameters.



- **Diamond-shape holder 66012**  
For wakeboard rack.



- **Boat cover suspension system 65017**  
For wintering and to avoid standing water on your boat's mooring cover.



- **Articulated bracket 64962**



- **St. steel quick release knobs 65988**



66317



66318

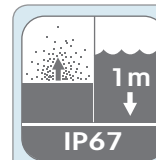
	STEALTH 6 6 speakers	STEALTH 10 10 speakers
<b>Reference</b>	<b>66317</b>	<b>66318</b>

Plug & Play, integrated Bluetooth, Class D amplifier

<b>Performance features</b>	12 V – 200 W	12 V – 300 W
	40 Hz – 20 kHz	40 Hz – 20 kHz
	4 drivers 3"	8 drivers 3"
	2 titanium tweeters 1"	2 titanium tweeters 1"

<b>Physical specs</b>	<b>IP67 aluminium housing</b>	
<b>Dimensions</b>	• 525 x 94 x 100 mm (L x H x D)	• 855 x 94 x 100 mm (L x H x D)
	• Weight 6 kg	• Weight 9 kg

**Supplied with** L brackets and top mount brackets. Wireless remote control for full control from steering wheel cradle.



**IP67 protection rating :**  
Protected against dust and water submersion at 1 m. (IP : Ingress Protection)

## Stealth HD soundbars

High performance Plug & Play system combining excellent powerful sound performance with the practical mobile Bluetooth technology : direct from your smartphone playlist.

Soundbar comes in 2 versions : 6 or 10 speakers.

### Options

- **Clamps for Stealth soundbars**
- **2.5" clamp : 66319**
- **Universal clamp : 66320**

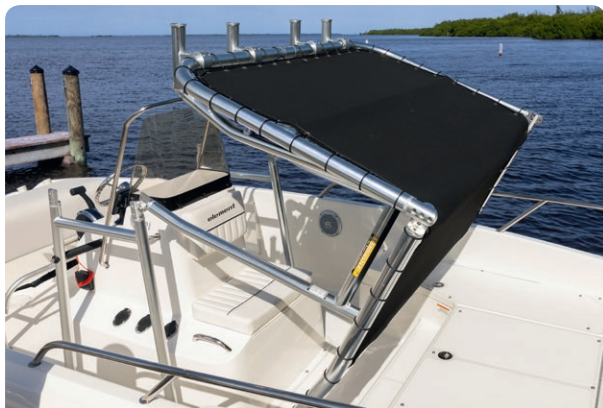


# T-Top

**5** year  
Warranty



You need to order the T-Top tubing structure AND the shading canvas top which you will choose in your favourite colour.



## Universal folding T-Top

### 66230

Ø 48 mm polished and anodized aluminium tubing structure.

- Fits any center console boat with a console 60 to 130 cm wide.
- Folds down without tools for dry stack or garage storage, trailering or low bridge clearance. Can be easily installed by a do-it-yourselfer or by a refit yard.
- Integral grab handles port and starboard provide a comfortable grip. Lateral support bars for extra strength.
- Guaranteed strong, stiff and silent.
- Additional storage capabilities with optional accessories.
- Weight : 45 kg (includes metal frame and canvas-top).
- Top length x width 2.03 m x 1.52 m / Headroom : 2 m.
- Footprint and additional dimensions : on [www.plastimo.com](http://www.plastimo.com)

## Shading canvas for T-Top

Sunbrella® acrylic fabric provides efficient weather protection.

Colour	Reference
<b>Black</b>	<b>66244</b>
<b>Pacific blue</b>	<b>66245</b>
<b>Navy blue</b>	<b>66246</b>
<b>Jockey red</b>	<b>66247</b>
<b>Burgundy red</b>	<b>66248</b>
<b>Forrest green</b>	<b>66249</b>
<b>Sunflower yellow</b>	<b>66250</b>
<b>Turquoise blue</b>	<b>66251</b>
<b>Cadet grey</b>	<b>66252</b>



## Options



### Quick release knobs :

**66231**

Replace bolts for fastest fold down process. Delrin and stainless steel construction. 2 x 4 knobs recommended for each T-Top.



### Stabilizer bar for T-Top :

**66232**

Adds extra stability, also works as a grab handle. Install high or low, on front legs or rear legs. Polished anodized tubing.





### Adjustable fishing rod holder 66233

Ø 48 mm polished and bright anodized 6063-T6 aluminium. Swivel mount and rotating clamp design gives you the freedom to position your rods at any angle you wish.



### Electronics box 66237

Lockable waterproof fiberglass housing to keep your electronics secure and dry.



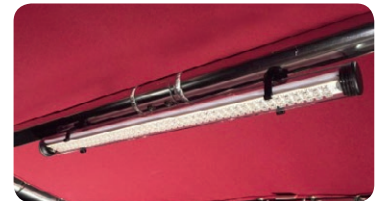
A



B



C



D

### LED lights

Ref.	Model	Description
A 66238	360° LED navigation light	2 NM visibility, IMO COLREG 72. 12 Volt, 13 Amp draw.
B 66239	LED spreader light	Durable and bright : 1530 lumen. Aluminium housing, 15.3 cm wide. Installation recommended with mounting bracket ref. 66236.
C 66240	Spot and flood LED combo light	Very powerful : 10.800 lumen. Aluminium housing, 54.6 cm wide. Can be mounted directly to T-Top. St. steel brackets and screws.
D 66241	White/blue LED light bar with mounts	Clear plastic tubing, 56 cm long. Illuminates the centre console. A real must-have for fishing at dawn or dusk. Can be mounted directly to T-Top.



### Storage bag 66242

Storage area 90 x 45 x 15 cm, ideal for storing lifejackets. Ventilated so that contents inside does not mould or mildew. Several pockets for additional storage.



### Storage package 66243

Essential holders to keep boat clean and tidy. 2 beverage holders (keep drinks cold) + 2 pole pockets + 1 trash tote bag.



A



B



C

### Antenna brackets

Ref.	Model	Description
A 66234	UHF antenna bracket	No drilling necessary. Mounts easily to T-Top frame.
B 66235	Folding antenna mounting plate	Holes compatible with most folding antenna mounts. Swivels to be used on front, rear or sides of T-Top.
C 66236	Universal antenna bracket	Ideal to use with round base antennas. Also works great with navigation light or spreader light.

# Pilot seats

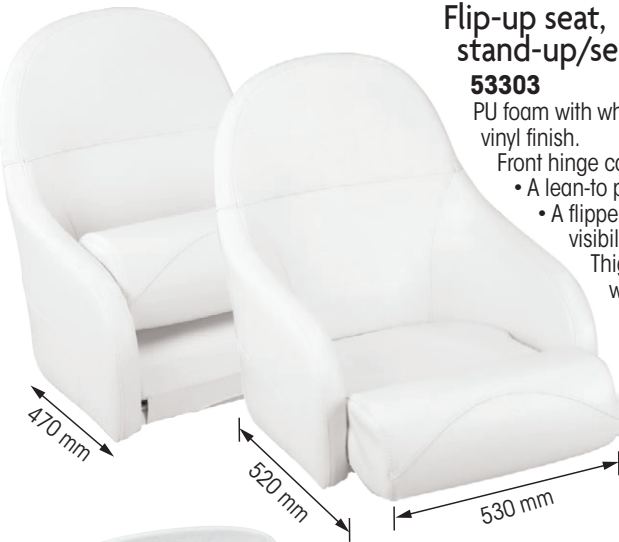
## Bucket seats



**Bucket seat**  
**53302**

PU foam with white marine grade vinyl finish.  
Dimensions :  
540 x 700 x 650 mm  
(H x W x D).  
Compatible with  
5" x 12" seat mounts.

Large seat



**Flip-up seat, stand-up/seating**  
**53303**

PU foam with white marine grade vinyl finish.  
Front hinge converts the seat into :  
• A lean-to position for optimum comfort.  
• A flipped-up position for better visibility.

Thigh rest for the pilot when in the up position.  
Dimensions :  
530 x 570 x (470+50) mm  
(L x H x D).  
Compatible with 5" x 12" seat mounts.

**Polyethylene seat**  
**53299**

UV-stabilised polyethylen with arm-rest.  
Dimensions :  
432 x 546 x 407 mm  
(H x W x D).  
Compatible with 5" x 12" seat mounts.

**Removable back and seat cushions**  
**53298**

Highly resistant white marine grade vinyl. Quick drying.  
Compatible with 5" x 12" seat mounts.



**Deluxe sport seat**  
**66213**

High-quality seat for maximum comfort.  
Blow molded frame and molded foam.  
Weather resistant marine grade vinyl.  
Dim. : 410 x 610 x 480 mm  
(L x H x D).  
Compatible with 5" x 5" and 5" x 12" seat mounts.  
White/blue colour.



**Deluxe sport flip-up seat**  
**66214**

Comfortable seat. Front hinge converts the seat into a lean-to and a flipped-up positions :  
Blow molded frame and molded foam.  
High-quality marine vinyl upholstery.  
Mildew, weather and UV resistant.  
Dim. : 380 x 610 x 510 mm  
(L x H x D)  
Compatible with 5" x 12" seat mounts.  
White/blue colour.



**Polyethylene seat**  
**53300**

UV-stabilised polyethylen. With arm-rest and hand supports.  
Dimensions :  
432 x 483 x 407 mm  
(H x W x D).  
Compatible with 5" x 12" seat mounts.



**Leaning post**  
**66217**

High-strength aluminum frame. Foam padding covered in heavy-duty marine vinyl.  
Easy to install.  
Dim. : 990 x 890 x 510 mm  
(L x H x D).  
White colour.

# Folding seats



## High back folding seat

**66209**

Comfortable seat. Injection molded frame. Safety strap in closed position. Heavy-duty aluminium hinges. Dimensions : 41 x 53 x 38 cm (L x H x P). Compatible with 5" x 5" seat mounts. White/blue colour.



## Traveler folding seat

**66207 : blue**

**66208 : camouflage**

Made in strong copolymer. Marine grade vinyl upholstery. Safety strap in closed position. Dimensions : 51 x 36 x 46 cm (L x H x W). Compatible with 5" x 5" seat mounts.



## Skipper folding seat

**66210 : white/blue**

**66211 : camouflage**

Injection molded seat. Built-in hinge for a greater support. Extra-large seat. High quality upholstery. Dimensions : 51 x 46 x 43 cm (L x H x W). Compatible with 5" x 5" seat mounts.



## Folding seat

Vinyl upholstery. Folding back. Dimensions : 420 x 460 x 450 mm (L x H x D). Compatible with 5" x 5" seat mounts.

Colour	Ref.
White	<b>53294</b>
Beige	<b>53295</b>
Grey	<b>53296</b>
Navy blue	<b>53297</b>



## Reversible back seat

**53301**

PU foam with white marine grade vinyl finish. Dimensions : 480 x 520 x 630 mm (L x H x D). Compatible with 5" x 12" seat mounts.



## Polyethylen folding seat

**54830**

Folding back. White marine grade vinyl upholstery. Dimensions : 510 x 360 x 530 mm (L x H x D). Compatible with pedestals ref. 53313, 54827 and deck plates 5" x 5".



## Side utility seat

**53314**

White vinyl. Comes with gimbal for temporary or permanent wallpanel mounting. Dimensions : 340 x 430 mm (L x D).



# Fish seats



## Ladder back seat 66215

Molded injection seat with UV-stabilizer polypropylene.  
Removable snap-on cushions.  
Molded armrest with polished aluminum brackets.  
Dim. : 560 x 560 x 530 mm (L x H x W).  
Compatible with 5" x 12" seat mounts.  
White colour.



## Fish Pro seat 66212

Comfortable seat for maximum lumbar support.  
Easy to fold.  
Pinch-proof hinges.  
Dim. : 480 x 660 x 580 mm (L x H x W).  
Compatible with 5" x 12" seat mounts.  
Charcoal grey colour.

## Fish seats

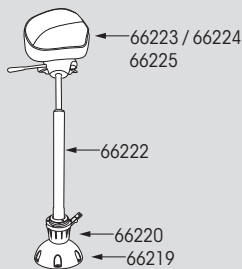
- Black : 66223
- White : 66224
- Camouflage : 66225



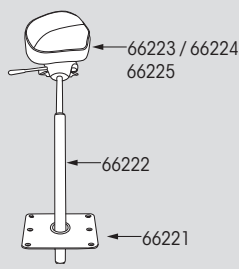
"Bicycle" style. These seats offer comfort and stability.  
Foam padding covered in marine grade vinyl.  
Dim. : 380 x 130 x 280 mm (L x H x W).

## Seat pedestral (see page 33)

### • On deck



### • Under deck



## Norwegian helm seat 66216


High-back helm seat.  
Foam padding covered in heavy-duty marine vinyl.  
Dim. : 480 x 860 x 580 mm (L x H x W).  
Compatible with 5" x 12" seat mounts.  
Black colour.

*Option : Offshore pedestral 66218 (see page 33).*

# Deck plates



## Deck plates for pedestals

Description	Model	Ref.	Option
A Adjustable swivel plate with lock. Suitable for pedestal or deck mount.	5" x 12" (130 x 305 mm)	<b>54828</b>	-
B Steel swivelling clamp. For seat mount, adjustable width 230 to 510 mm.	5" x 12" (130 x 305 mm)	<b>53308</b>	-
C Aluminium swivel slide system with lock.	5" x 12" (130 x 305 mm)	<b>405966</b>	-
D Aluminium swivel seat mount with lock. (210 x 185 x 100 mm)	5" x 5" (130 x 130 mm)	<b>54829</b>	<b>53310</b> Swivel support for deck plate 170 x 85 x 150 mm
E Aluminium swivel plate. (170 x 85 x 150 mm)	5" x 5" (130 x 130 mm)	<b>53309</b>	

# Seat pedestals



## Complete pedestals

Description	Ref.	Height	Ø Base	Ø Tube	For model
A Adjustable gas pedestal + slide swivelling plate with lock.	<b>53311</b>	From 390 to 520 mm	230 mm	60 mm	Compatible with 5" x 12" seat mounts.
B Manual adjustable pedestal + slide swivelling plate with lock.	<b>53312</b>	From 340 to 430 mm	230 mm	60 mm	
C Manual adjustable pedestal + swivelling plate with lock.	<b>53313</b>	From 330 to 440 mm	250 mm	60 mm	
D Aluminium stowable, through-deck mount pedestal. Aluminium swivelling plate with lock.	<b>54827</b>	510 mm	230 mm	60 mm	Compatible with 5" x 5" seat mounts.

## Select your own pedestal

Select a base within the various possible heights and add a slide swivelling plate, or a swivel only.

Description	Ref.	Height	Ø Base	Tube Ø	Height pedestal + plate 53308	Height pedestal + plate 53309
Aluminium base	<b>53304</b>	240 mm	230 mm	73 mm	275 mm	265 mm
	<b>53305</b>	340 mm	230 mm	73 mm	375 mm	365 mm
	<b>53306</b>	390 mm	230 mm	73 mm	425 mm	415 mm
	<b>53307</b>	470 mm	230 mm	73 mm	505 mm	495 mm



## Offshore pedestal seat 66218

Telescopic pedestal with footrest. Swivel slide deck plate. Tube Ø : 76 mm. Base Ø : 300 mm. Height : 660 to 860 mm.



Compatible with Norwegian helm seat 66216 and fish seat 66215.

## Pedestal for fish seats 66222

Adjustable seat. 360° rotation. Height : 560 to 740 mm. Compatible with fish seats 66223, 66224 and 66225.

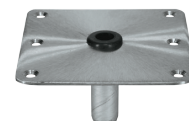


### Options & accessories

#### • On deck

Base **66219**  
Made in aluminum resistant to weather conditions. Ø : 230 mm. Compatible with 66223, 66224 and 66225

Adapter **66220**  
Compatible with the base 66219



#### • Under deck

Built-in square base **66221**  
Stainless steel with satin finish. Dimensions : 180 x 180 mm. Built-in dimensions (below deck) : 100 mm. Cut-out hole : Ø 50 mm.

# PLASTIMO Antifouling



J.M. List ©

J.M. List ©



A high performance range, small enough to facilitate your choice, yet diversified to answer all your needs :

- Plastimo antifouling paints have a good compatibility.
- Easy to apply, they do not require any elaborate surface preparation and produce a superb glossy finish combined with exceptional protection.

Selecting the right antifouling is essential, as it contributes to optimising your sailing, whatever the conditions : antifouling must be adapted to your boat, your navigation programme and mooring area.

Plastimo antifouling :  
Making your choice is easy,  
protecting your hull is gratifying.



	CLASSIC	PERFORMANCE	RACING
Features	Hard antifouling.	High performance, gradual polishing.	Ultimate performance, self-polishing, very bright colours.
Recommended for	Moderate fouling areas. Sail & Powerboats.	High fouling areas. Sail & Powerboats.	Very high fouling areas. Racing sailboats & fast motorcruisers.
Holding power	Resists up to 70 knots and drying berths/stranding.	Resists up to 40 knots and drying berths/stranding.	Resists up to 40 knots and drying berths/stranding.
Compatibility	Good.	Good.	Good.
Hull	Polyester, wood & steel.	Polyester, wood & steel.	Polyester, wood, steel & aluminium.
Suitable for fresh water	✓	✓	✓✓
Suitable for mud berths	✓	✓	✓✓
Colour			

✓ : Good selection  
✓✓ : Better selection





Colours as a guide only, as accurate as printing variations permit.  
Shades may vary slightly from the actual product. The manufacturer cannot be responsible for slight deviations.

## Racing antifouling

Self-polishing, ultimate performance, low friction. For racing sailboats and fast motor cruisers, up to 40 Knots.

- For all hull types : aluminium, polyester, steel and wood.
- Vibrant racing colours.
- Provides optimum glide ratio, reduces friction and contributes to save fuel.
- Sandable, suitable for drying berths.
- Can be applied over standard antifouling.
- Very heavy fouling areas.
- Coverage ratio 11.20 m<sup>2</sup> / Litre.
- Temperature during application : +5° to +20°C.

Wait 2 ½ hours before overcoating and 4 hours before launching.

Colour	0.75 L	2.5 L	5 L
 Red	65452	65453	65454
 Polar White	65455	65456	65457
 Navy	65458	65459	65460
 Black	65461	65462	65463

Contains thiocyanate and zinc pyrithione.

## What does compatibility mean ?





A compatible paint can be applied over another, without any defects showing through immediately, nor at a later stage.

Plastimo antifouling paints are chemically and mechanically compatible with the vast majority of tin-free antifouling, provided that the surface preparation instructions are strictly respected.

## Performance antifouling

Gradual polishing with controlled depletion. For sail and power boats, up to 40 Knots.

- For polyester, steel and wood hulls (do not apply on aluminium).
  - Smooth aspect and excellent glide ration, reduces friction and contributes to save fuel.
  - Suitable for drying berths.
  - Can be applied over standard antifouling.
  - Heavy fouling areas.
  - Coverage ratio 8.80 m<sup>2</sup> / Litre.
  - Temperature during application : +5° to +20°C.
- Wait 2 ½ hours before overcoating and 4 hours before launching.

Colour	0.75 L	2.5 L	5 L
 Grey	65440	65441	65442
 Blue	65443	65444	65445
 Navy	65446	65447	65448
 Black	65449	65450	65451

Contains cuprous oxyde and zyneb.



Formulated for ALUMINIUM

Antifouling are dangerous classified products. Use biocides with care. Always read the label before use for information on the product. Follow carefully the instructions for use.



Preparation and priming for paintwork below the waterline : see our technical sheet on plastimo.com

Compliant with current regulation



## Classic Antifouling

Hard antifouling.

For sail and powerboats, up to 70 Knots.

- For polyester, steel and wood hulls. (Do not apply on aluminium).
  - Suitable for drying berths.
  - Can be applied over standard antifoulings.
  - Moderate fouling areas.
  - Coverage ratio 10 m<sup>2</sup> / Litre.
  - Temperature during application : +5° to +20°C.
- Wait 2 ½ hours before overcoating and 4 hours before launching.



Colour	0.75 L	2.5 L	5 L	20 L
Red	<b>65428</b>	<b>65429</b>	<b>65430</b>	-
Blue	<b>65431</b>	<b>65432</b>	<b>65433</b>	-
Navy	<b>65434</b>	<b>65435</b>	<b>65436</b>	<b>65468</b>
Black	<b>65437</b>	<b>65438</b>	<b>65439</b>	<b>65469</b>

Contains cuprous oxyde.

Antifouling are dangerous classified products. Use biocides with care. Always read the label before use for information on the product. Follow carefully the instructions for use.

Preparation and priming for paintwork below the waterline : see our technical sheet on [plastimo.com](http://plastimo.com)

## Primers and Thinners



### Primers

	Colour	Capacity	Ref.
Underwater primer	Silver grey	0.75 L	<b>65551</b>
		2.5 L	<b>65552</b>
Epoxy primer	Silver grey	1 L	<b>65553</b>

### Features and recommended use

**Epoxy**  
Use below and above waterline. High performance protection of all rigid surfaces + protection from abuse and abrasion.

### Underwater

Use below waterline. Acts as an insulation coat between two different paints. Improves adhesion on a surface with a previous coat or on an antifouling in poor condition.

<b>Polyester</b>	✓✓	✓✓
<b>Wood</b>	NO	✓✓
<b>Steel / ferro cement</b>	✓✓	✓
<b>Osmosis prevention</b>	✓	NO

✓✓ : Good selection  
✓ : Better selection

### Thinners

Antifouling thinner	Epoxy thinner
<b>1 L : 65554</b>	<b>1 L : 65556</b>
Thinner suitable for Plastimo antifoulings and Underwater primer. Also recommended for cleaning tools.	Thinner suitable for Plastimo Epoxy primer. Also recommended for cleaning tools and degreasing the surface.

## Indication (in litres) of average quantities required for 2 coats of antifouling

Type of boat	Feets Metres	Length at waterline								
		20 6	25 7.5	28 8.5	30 9	33 10	35 10.7	38 11.5	43 13	48 14.5
		2.75 L	4.5 L	5.75 L	6.5 L	8 L	9 L	10.5 L	13.5 L	16.75 L
		3.25 L	5 L	6.25 L	7 L	8.75 L	9.75 L	11.5 L	14.75 L	18.25 L
		2.25 L	3.25 L	4.25 L	5 L	6 L	6.25 L	7.5 L	8 L	9.5 L

# Inflatable kayaks

The new kayaks are innovating, lightweight, comfortable, durable and very stable.



## Open 2.45 m kayak 66111

Perfect for fishing and snorkelling.

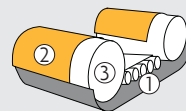
Kayak with a good quality glide.  
Cockpit opened for easier drainage.  
Large storage space back.  
Comfortable removable seat and adjustable position with velcro bands.  
High backrest in foam for optimal back support.  
Supplied with repair kit. Turquoise colour.



- Rod holder and large storage net at the backrest.
- 2 carrying handles (front and back).
- 1 footrest.
- Capacity : 1 person / 113 kg maxi.
- Dimensions : 244 x 89 cm (L x l).
- Weight : 9.1 kg.

### Construction

- ① Floor : XPT<sup>™</sup> construction. Uses X-beam technology to produce a stiff, durable PVC beam floor.
- ② Rugged 600D polyester cover provides comfort, performance and excellent UV protection.
- ③ Bladder : K80 PVC.



## Single & Duo kayaks

Recreational kayak for sea or river.

V type for fast rides.  
Coated fabric floor for superior abrasion and shocks resistant.  
Comfortable removable seat and adjustable position with velcro bands.  
High backrest in foam for optimal back support.  
Supplied with storage bag and repair kit. Orange colour.

### Single 2.70 m kayak 66112

- 1 seat.
- Capacity : 1 person / 113 kg maxi.
- Dimensions : 269 x 91.5 cm (L x l).
- Weight : 12.7 kg.

### Duo 3.20 m kayak 66113

- 2 seats.
- 2 footrests.
- Capacity : 2 persons / 181 kg maxi.
- Dimensions : 320 x 91.5 cm (L x l).
- Weight : 13.2 kg.



Rudder plank and directional band.



3 high-pressure valves for faster inflation and deflation.

### Common features

- Rod holder and large storage net at the backrest.
- Front & back storage with elastic.
- 4 flexible carrying handles (front, back and 2 on the sides).
- 3 chambers.
- 3 high-pressure valves.
- 2 lateral paddle holders.
- 1 removable rudder plank and 1 directional band.

## Options



### Cooler for kayaks 66315

Polyester cooler for Open, Single and Duo kayaks.  
Cooler features one main compartment with zipper.  
Bottom with velcro bands to fix it on the kayak.

- Capacity : 8.5 L.
- 4 built-in rod-holders.
- 1 front large pocket.
- 1 PVC pocket on the lid.
- 2 lateral pockets with zippers.

### Offshore® 55 Kayak 63856

Black card, orange flange. Bracket-mount. Attachment on the kayak lifeline with the shock cords and hooks (included).



## PLASTIMO DISTRIBUTION SAS

Lorient-La Base  
3, Rue du Commandant L'Herminier  
56100 - LORIENT (France)  
Tel. +33 (0) 297 87 36 36  
Fax +33 (0) 297 87 36 28  
E-mail : contact@plastimo.com

### Photos credit

Baptiste Leglatin  
Jean-Marie Liot  
Yann Riou-MACIF  
François Paris  
Loïc Corroyer

**Misprints excepted**, this catalogue (and all accompanying leaflets) are intended to give a general description only. Illustrations, sizes and descriptions are generally accurate, but shall not be considered binding or part of a contract. Plastimo reserves the right to alter technical specifications, etc. without notice.

**Colours** shown in our catalogue are as accurate as printing variations permit ; they may vary slightly from the actual product.